

Fiber optic patch cord OM4 LC/LC



The duplex fiber patch cord is OM4 with 3 mm jacket. It is LSZH rated and its terminated with LC fiber optic connector on both ends.

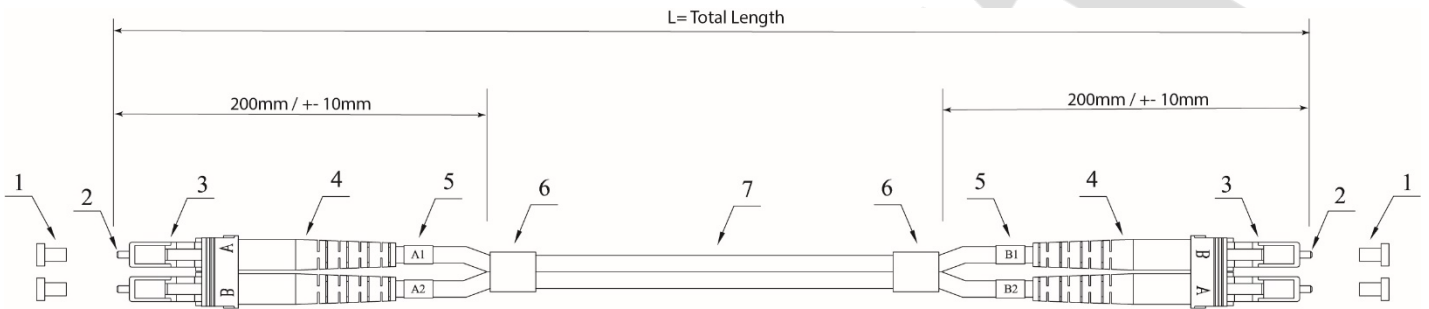
Key Features

- UPC polishing
- LSZH outer sheath
- 3.0 mm cable diameter
- Multimode
- Conforms to or exceeds all relevant ISO/IEC, TIA/EIA and ITU standards

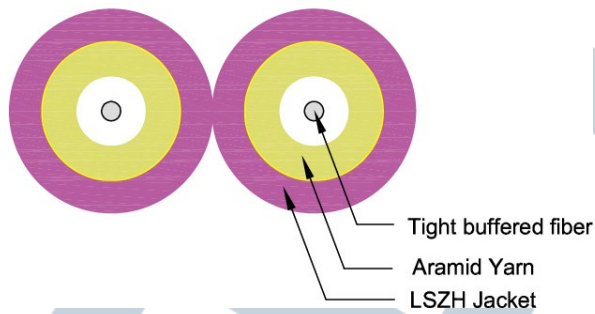
Connector Test Specification

Parameters	Specification
Insertion Loss	≤ 0.30 dB
Return Loss	/
3D of Endface	More than 80 % (according to IEC standards)
Durability (1000 mating)	0.2dB Max. Increase
Operating Temperature	-25 C° - 70 C°
Storage Temperature	-25 C° - 70 C°

Technical drawings



Cable Profile View



No.	Description	Material
1	LC Dust Cap	PP
2	LC MM Ceramic Ferrule 1.8 mm	Ceramic
3	LC Duplex Housing (violet)	PEI
4	LC Boot (red + white)	TPE
5	Mark ring	PVC
6	Heat Shrink tube (black)	PVC
7	MM OM4 Duplex 3.0 mm LSZH Cable (violet)	

