

## 19" Freestanding cabinets ATLAS BASIC series



### General

ATLAS BASIC series cabinets designed for data centers, system rooms and telecommunication. They are the appropriate solution for your heavy equipment with strong structure and 1000kg loading capacity. They can be customized. Keeps your servers safe by working smoothly with air conditioning, cable management and other intelligent system applications.

#### Cabinet Structure

ATLAS BASIC series cabinets reach the maximum strength with 45-degree vertical profiles fixed to special design monoblock welded bottom frame with steel screws. It is an ideal solution for your heavy equipment with up to 1000kg loading capacity.

The cabinets could be mounted side by side. They are network and server cabinets; suitable for office, system room, data centre, and cabling system installation. Compatible for all kind of 19" brands and models network and server equipments

During installation and while conducting routine maintenance and repair of installed equipment; removable side panels, rear door and the top plate allows to multiple easy access. Optimum depth for comfort cabling, server housing and equipment in the cabinets.

Side panels, Front and rear doors are lockable and accessible with the same key. Front and rear doors could be detached and reversed to allow the door to open from the rear of the cabinet.

#### U Numbering

U numbering is printed with serigraphy to the mounting rails of the cabinet which helps to index of the devices housed in the cabinet.

#### Side Panels

The side panel model of ATLAS BASIC series cabinets allows easy removal of side panels during assembly, maintenance and repair. The cylindrical locking mechanism is used on the panels.

#### The Additional Side Panels

The additional side panels are fixed inside the cabinet which increases the strength of the cabinet and creates space for the installation of wiring and PDU accessories inside. Optionally, these panels could be perforated if additional ventilation is required in the cabinet.

#### Fan Module

The Standard version of ATLAS BASIC series fan module mounted to the top sheet from inside the cabinet. Pagoda style top cover is optional and could be mounted to the standart cabinet Upon request, fan module can be assembled to the top sheet from outside the cabinet in this case pagoda style top cover is necessary.

#### Top Cable Entry

In 600 width standard cabinets, there is no cable entry on the top of the cabinet.

In 800 width standard cabinets have 2 cable entry on the top with the dimension of 60x300mm.

#### Rear Brushed Cable Entry

Brushed cable entry holes with 60mm\*300mm dimensions are available on the top and bottom of the rear door for 26U and higher Atlas IT series free-standing cabinets as a standard.

## Levelling Feet and Castors

ATLAS BASIC series cabinets comes with mounted castors, for other options leveling feets are available which helps adjust cabinet height and stability according to the ground condition.

## Bottom Cable Entry

Base sheet model for 600-width cabinets; on unperforated base sheet model with slide cable entry hall. The cables entering the cabinet are clamped without being damaged because of the cable entry module with rubber edge and maximum sliding distance. Protection against undesirable substances and dust that could enter under the cabinet is provided.

In 800 width cabinets; additionally to the 600 width standard cabinets, two pieces 60 \* 300 brushed cable entry halls are available that offers 3 different cable entry points from the base of the cabinet. If needed, the configuration can be changed.

## Side Horizontal Support Bar

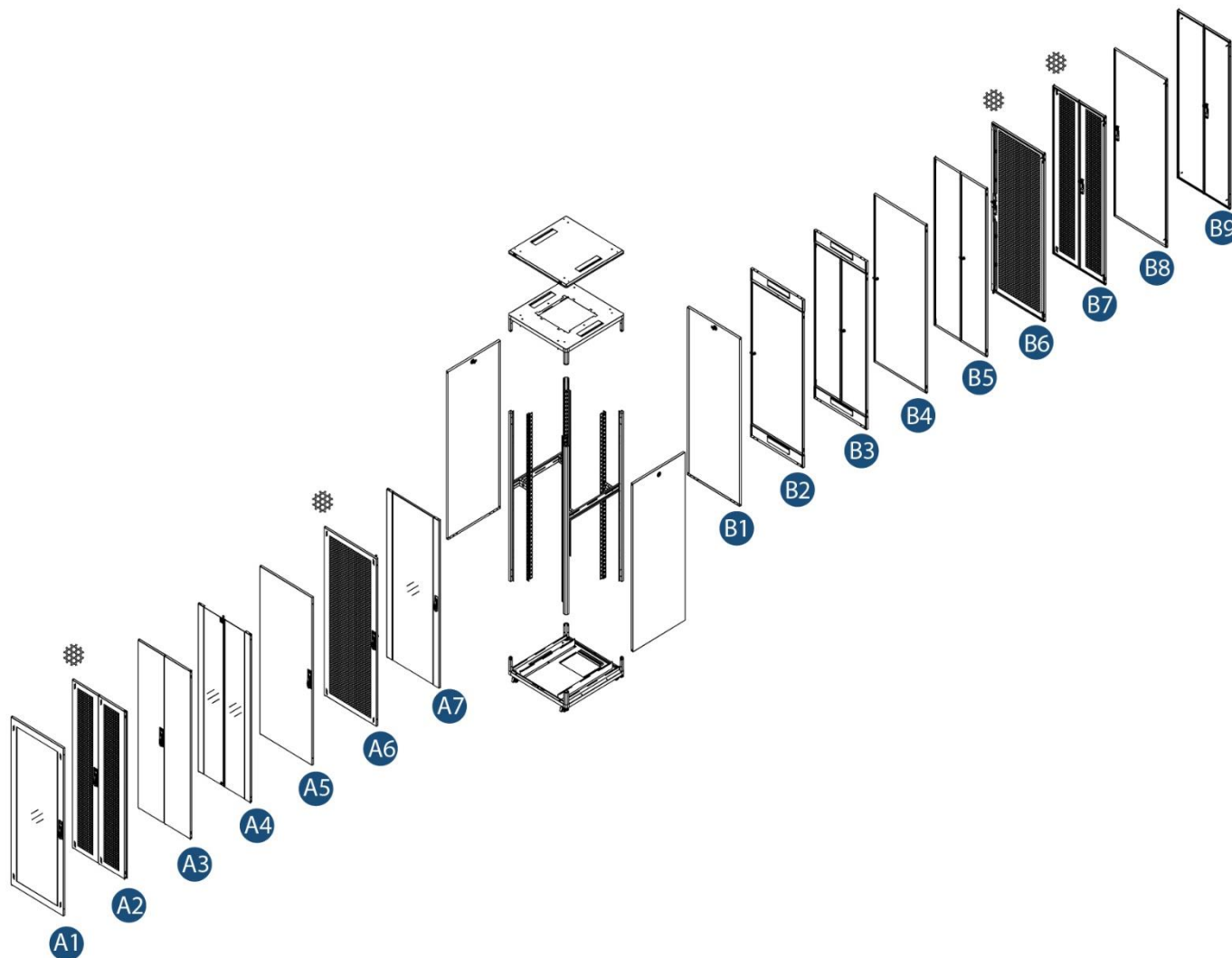
Cabinets are supported by side horizontal support bar through depth and height directly proportional.

## Key features

- Material: 1,2mm DKP
- IP classification: IP20 as a standard, IP40 when solid metal panel applied for all access
- Loading capacity: recommended up to 1000kg loading capacity
- Doors: doors options are available, single point locking system, can be opened to 110 degree, doors can be opened to left or right direction
- Mounting rails: 19" mounting rails, adjustable in depth of the cabinet, 1,5mm DX51D+ZN275 galvanic
- Side panels: removable side panels, locking system is available
- Bottom: sliding cable panel
- Rear door: brushed cable entry holes available bottom and top side of rear door, rear door is lockable, rear door options are available
- Ground contact: caster and levelling feet options are available, plinth is available as an option
- Top sheet: fan module is available as an option
- Available colors: Light Grey (RAL 7035) and Black (RAL 9005)

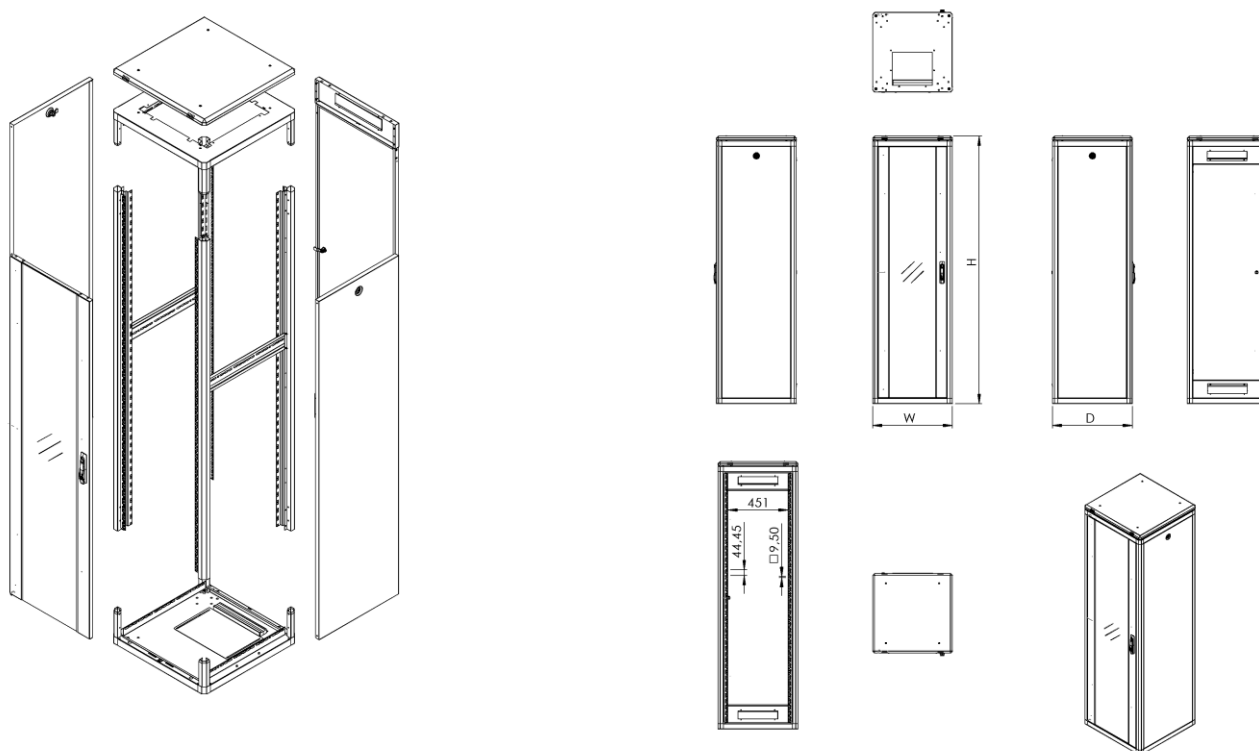
## Door options

Front door options		Rear door options	
A1	Single Opening, Flat shaped, Glass door with Complete Frame, Single Point Locking with Handle	B1	Single opening, flat shaped, solid metal, snap locking and single point locking with barrel lock panel
A2	Double Opening, Flat Shaped, Complete Framed %70 Perforated, Metal Front Door, 3 Point Locking with Handle and Hinges	B2	Single Opening, Flat Shaped, Solid Metal Rear Door, Single point Locking with Barrel Lock, Top/Bottom Cable Entry Holes
A3	Double Opening, Flat Shaped, Solid Metal Front Door, 3 Point Locking with Handle and Hinges	B3	Double Opening, Flat Shaped, Solid Metal Rear Door, 3 point Locking with Barrel Lock and Hinges, Top/Bottom Cable Entry Holes
A4	Double Opening, Flat Shaped, Glass door with frame, 2 Point Locking with Barrel Lock, Top and Bottom	B4	Single Opening, Flat Shaped, Solid Metal Rear Door, Single point Locking with Barrel Lock
A5	Single Opening, Flat Shaped, Solid Metal Front Door, Single point Handled Locking	B5	Double Opening, Flat Shaped, Solid Metal Rear Door, 3 Point Locking with Barrel Lock and Hinges
A6	Single Opening, Flat Shaped, Complete Framed %70 Perforated, Metal Front Door, Single Point Locking with Handle	B6	Single Opening, Flat Shaped, Complete Framed %70 Perforated, Metal Front Door, Single Point Locking with Handle.
A7	Single Opening, Flat Shaped, Glass door with frame, Single Point Locking with Handle	B7	Double Opening, Flat Shaped, Complete Framed %70 Perforated, Metal Front Door, 3 Point Locking with Handle and Hinges
		B8	Single Opening, Flat Shaped, Solid Metal Front Door, Single point Handled Locking
		B9	Double Opening, Flat Shaped, Solid Metal Front Door, 3 Point Locking with Handle and Hinges



## Technical drawings

Freestanding cabinets W=600 D=600



## Product code informations

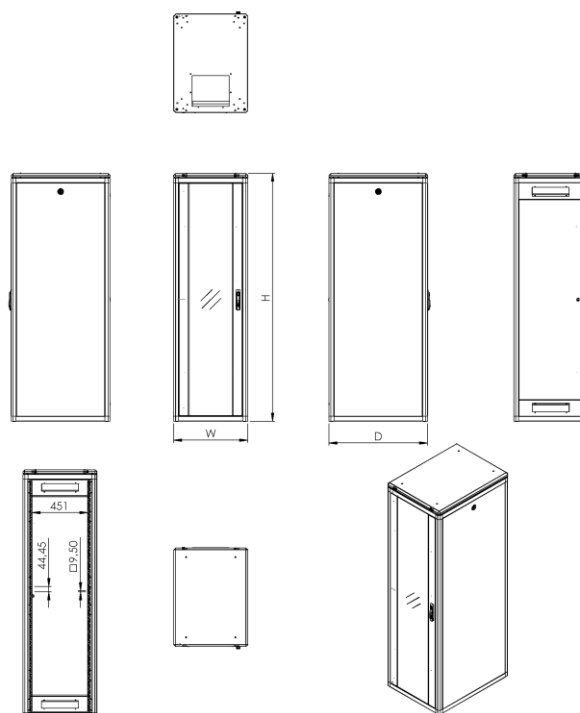
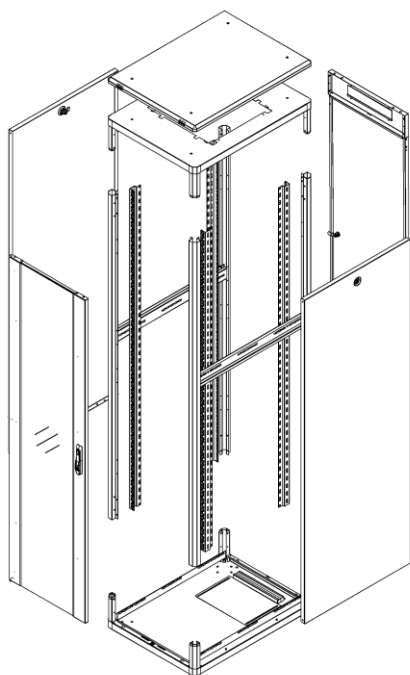
### 19" Atlas BASIC Freestanding cabinets W=600 D=600

Product code	Description	Height in U	Width (mm)	Depth (mm)	Height (mm)	Weight (Net kg)	Weight (Gross kg)
ATN 16U-60/60-ST-X	16U 19" Atlas BASIC free standing cabinet W=600 D=600	16U	600	600	856	55,9	63,5
ATN 20U-60/60-X	20U 19" Atlas BASIC free standing cabinet W=600 D=600	20U	600	600	1034	60,2	68,2
ATN 22U-60/60-X	22U 19" Atlas BASIC free standing cabinet W=600 D=600	22U	600	600	1123	62,9	71,1
ATN 26U-60/60-X	26U 19" Atlas BASIC free standing cabinet W=600 D=600	26U	600	600	1300	67,7	76,3
ATN 32U-60/60-X	32U 19" Atlas BASIC free standing cabinet W=600 D=600	32U	600	600	1567	75,9	85,0
ATN 36U-60/60-X	36U 19" Atlas BASIC free standing cabinet W=600 D=600	36U	600	600	1745	81,3	90,5
ATN 42U-60/60-X	42U 19" Atlas BASIC free standing cabinet W=600 D=600	42U	600	600	2012	88,7	98,9
ATN 42U-60/60-PDD-X	42U 19" Atlas BASIC free standing cabinet with perforated front and rear door W=600 D=600	42U	600	600	2012	91,7	103,9
ATN 47U-60/60-X	47U 19" Atlas BASIC free standing cabinet W=600 D=600	47U	600	600	2234	95,1	105,8

X - "B" for the black color

## Technical drawings

Freestanding cabinets W=600 D=800



## Product code informations

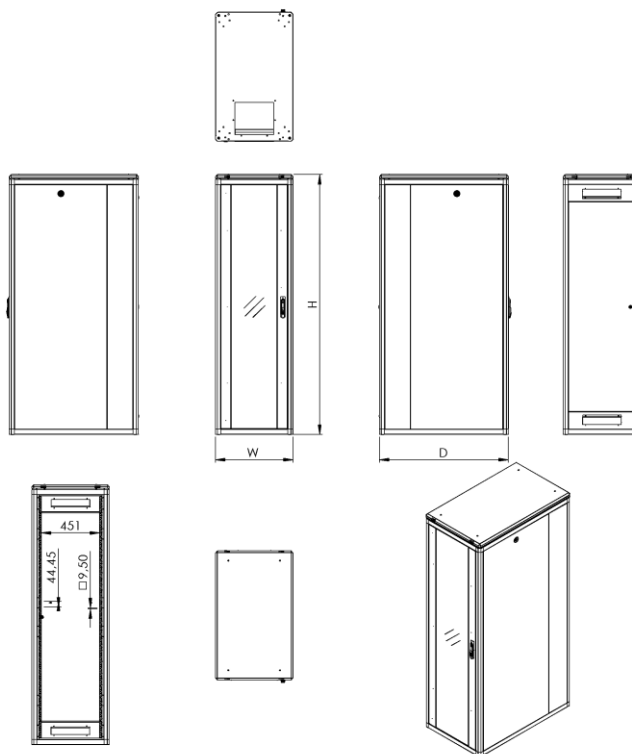
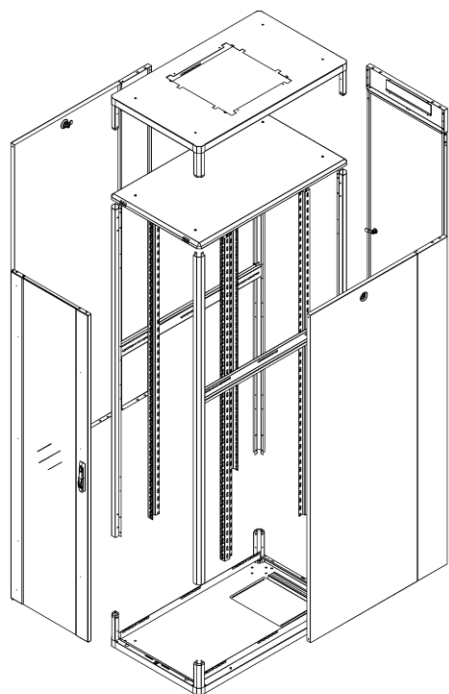
### 19" Atlas BASIC Freestanding cabinets W=600 D=800

Product code	Description	Height in U	Width (mm)	Depth (mm)	Height (mm)	Weight (Net kg)	Weight (Gross kg)
ATN 16U-60/80-ST-X	16U 19" Atlas BASIC free standing cabinet W=600 D=800	16U	600	800	856,3	63,0	70,9
ATN 20U-60/80-X	20U 19" Atlas BASIC free standing cabinet W=600 D=800	20U	600	800	1034,1	70,6	76,2
ATN 22U-60/80-X	22U 19" Atlas BASIC free standing cabinet W=600 D=800	22U	600	800	1123	73,6	79,2
ATN 26U-60/80-X	26U 19" Atlas BASIC free standing cabinet W=600 D=800	26U	600	800	1300,8	75,7	84,8
ATN 32U-60/80-X	32U 19" Atlas BASIC free standing cabinet W=600 D=800	32U	600	800	1567,5	85,0	94,9
ATN 36U-60/80-X	36U 19" Atlas BASIC free standing cabinet W=600 D=800	36U	600	800	1745,3	91,1	101,4
ATN 42U-60/80-X	42U 19" Atlas BASIC free standing cabinet W=600 D=800	42U	600	800	2012	98,7	109,7
ATN 47U-60/80-X	47U 19" Atlas BASIC free standing cabinet W=600 D=800	47U	600	800	2234,25	115,9	127,9

X - "B" for the black color

## Technical drawings

Freestanding cabinets W=600 D=1000



## Product code informations

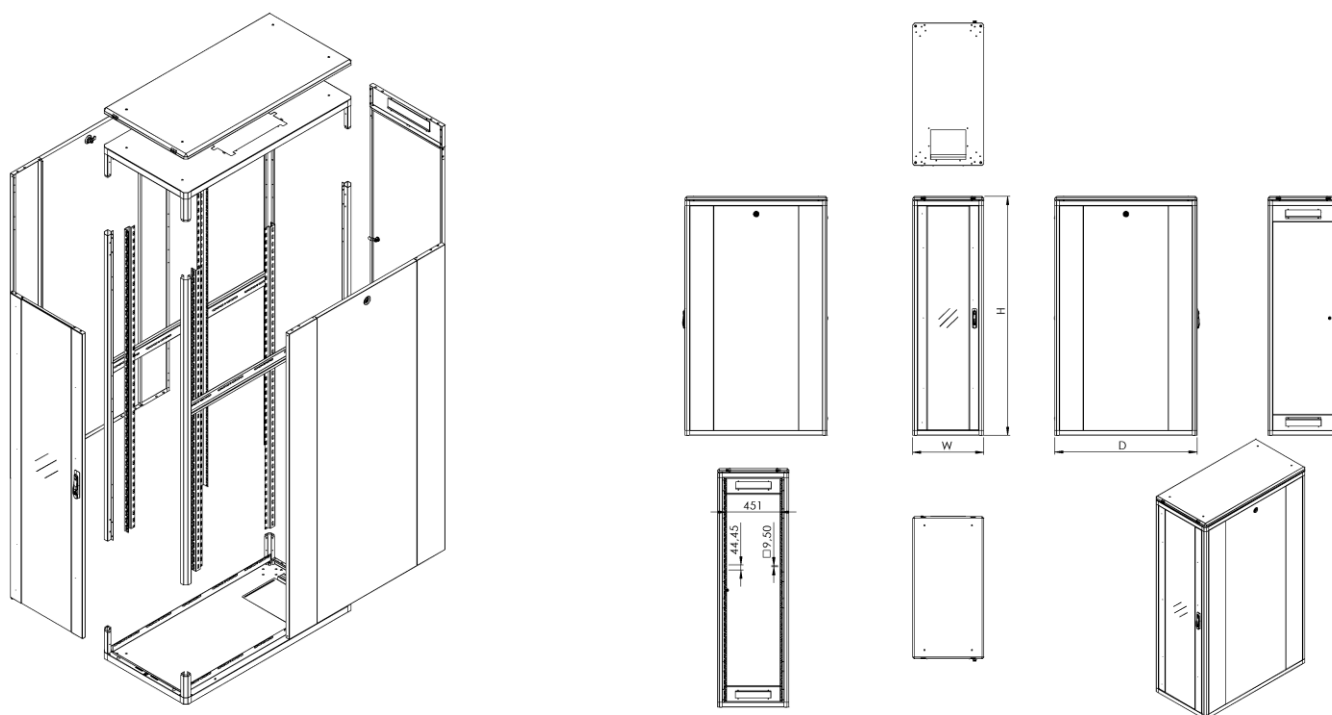
### 19" Atlas BASIC Freestanding cabinets W=600 D=1000

Product code	Description	Height in U	Width (mm)	Depth (mm)	Height (mm)	Weight (Net kg)	Weight (Gross kg)
ATN 22U-60/100-X	22U 19" Atlas BASIC free standing cabinet W=600 D=1000	22U	600	1000	1123	89,0	92,0
ATN 26U-60/100-X	26U 19" Atlas BASIC free standing cabinet W=600 D=1000	26U	600	1000	1300,8	92,0	95,5
ATN 32U-60/100-X	32U 19" Atlas BASIC free standing cabinet W=600 D=1000	32U	600	1000	1567,5	104,3	108,7
ATN 36U-60/100-X	36U 19" Atlas BASIC free standing cabinet W=600 D=1000	36U	600	1000	1745,3	112,0	117,0
ATN 42U-60/100-X	42U 19" Atlas BASIC free standing cabinet W=600 D=1000	42U	600	1000	2012	122,0	127,9
ATN 47U-60/100-X	47U 19" Atlas BASIC free standing cabinet W=600 D=1000	47U	600	1000	2234,25	127,0	133,1

X - "B" for the black color

## Technical drawings

Freestanding cabinets W=600 D=1200



## Product code informations

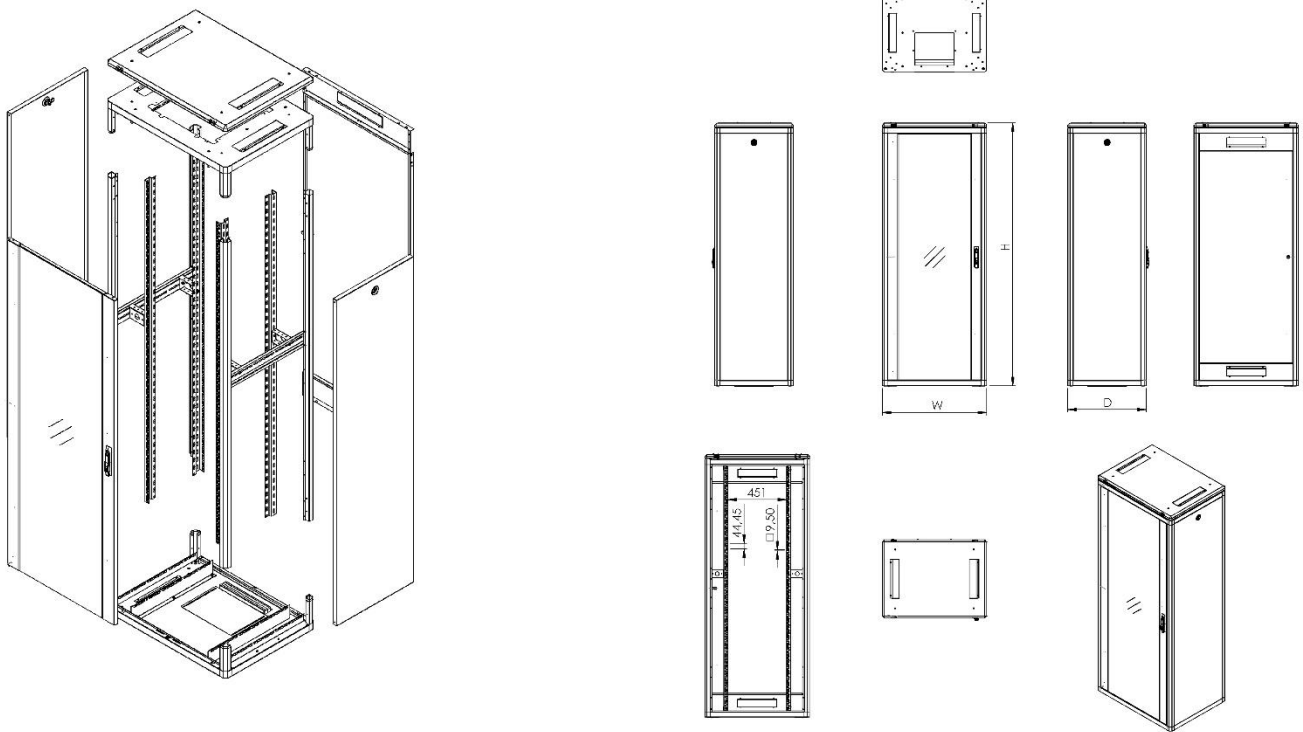
### 19" Atlas BASIC Freestanding cabinets W=600 D=1200

Product code	Description	Height in U	Width (mm)	Depth (mm)	Height (mm)	Weight (Net kg)	Weight (Gross kg)
ATN 36U-60/120-X	36U 19" Atlas BASIC free standing cabinet W=600 D=1200	36U	600	1200	1745,3	112,0	117,0
ATN 42U-60/120-X	42U 19" Atlas BASIC free standing cabinet W=600 D=1200	42U	600	1200	2012	122,0	127,9
ATN 47U-60/120-X	47U 19" Atlas BASIC free standing cabinet W=600 D=1200	47U	600	1200	2234,25	127,0	133,1

X - "B" for the black color

## Technical drawings

Freestanding cabinets W=800 D=600



## Product code informations

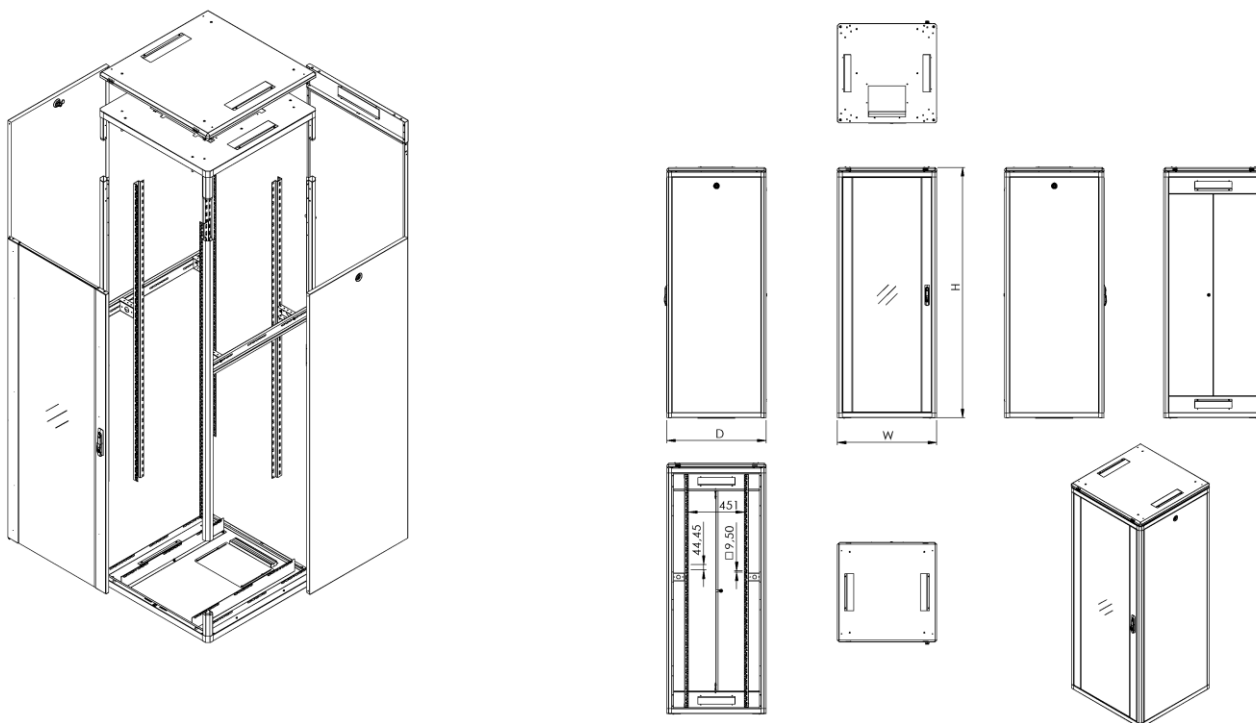
### 19" Atlas BASIC Freestanding cabinets W=800 D=600

Product code	Description	Height in U	Width (mm)	Depth (mm)	Height (mm)	Weight (Net kg)	Weight (Gross kg)
ATN 42U-80/60-PDD-X	42U 19" Atlas BASIC free standing cabinet with perforated front and rear door W=800 D=600	42U	800	600	2012	100,6	111,7

X - "B" for the black color

## Technical drawings

Freestanding cabinets W=800 D=800



## Product code informations

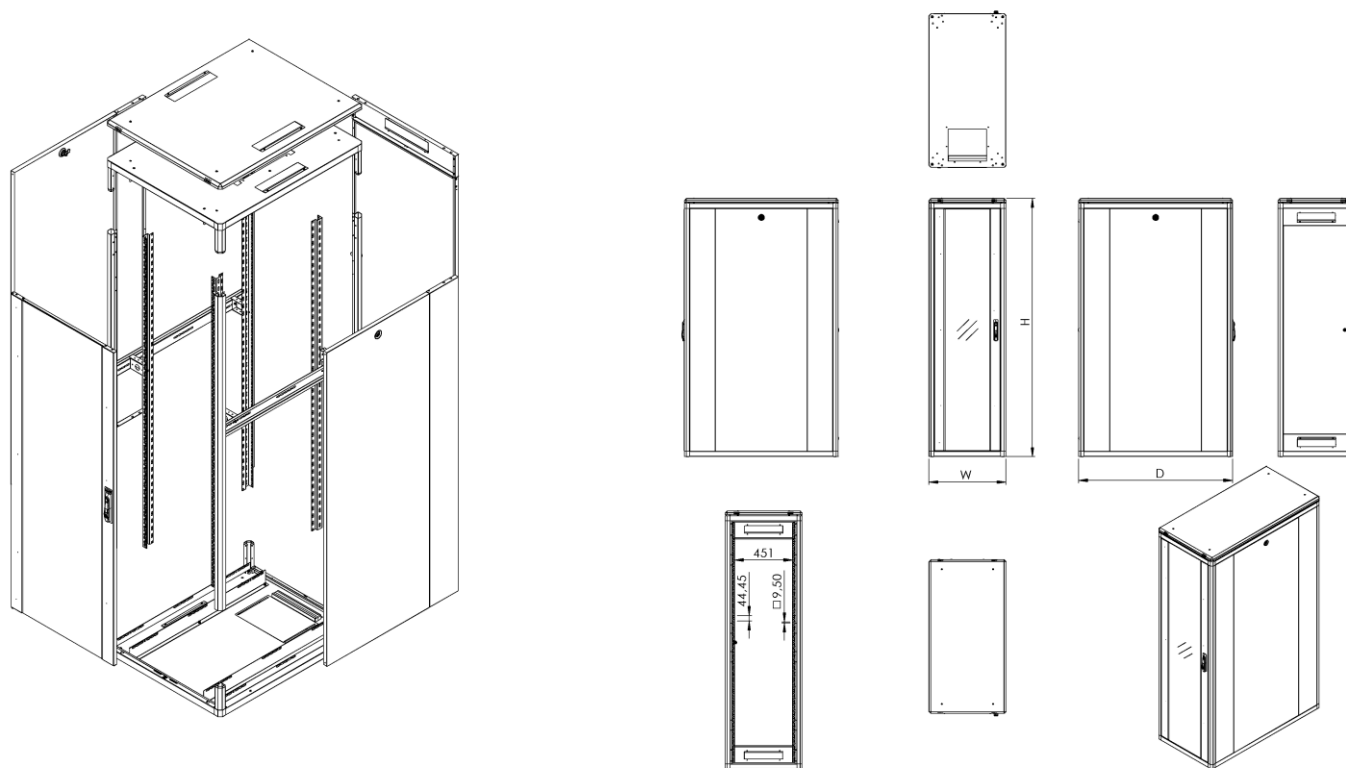
### 19" Atlas BASIC Freestanding cabinets W=800 D=800

Product code	Description	Height in U	Width (mm)	Depth (mm)	Height (mm)	Weight (Net kg)	Weight (Gross kg)
ATN 22U-80/80-X	22U 19" Atlas BASIC free standing cabinet W=800 D=800	22U	800	800	1123	79,3	92,5
ATN 26U-80/80-X	26U 19" Atlas BASIC free standing cabinet W=800 D=800	26U	800	800	1300,8	85,0	98,8
ATN 32U-80/80-X	32U 19" Atlas BASIC free standing cabinet W=800 D=800	32U	800	800	1567,5	95,4	99,9
ATN 36U-80/80-X	36U 19" Atlas BASIC free standing cabinet W=800 D=800	36U	800	800	1745,3	102,0	117,2
ATN 42U-80/80-X	42U 19" Atlas BASIC free standing cabinet W=800 D=800	42U	800	800	2012	111,0	126,3
ATN 42U-80/80-PDD-X	42U 19" Atlas BASIC free standing cabinet with perforated front and rear door W=800 D=800	42U	800	800	2012	111,0	126,3
ATN 47U-80/80-X	47U 19" Atlas BASIC free standing cabinet W=800 D=800	47U	800	800	2234,25	119,0	136,3

X - "B" for the black color

## Technical drawings

Freestanding cabinets W=800 D=1000



## Product code informations

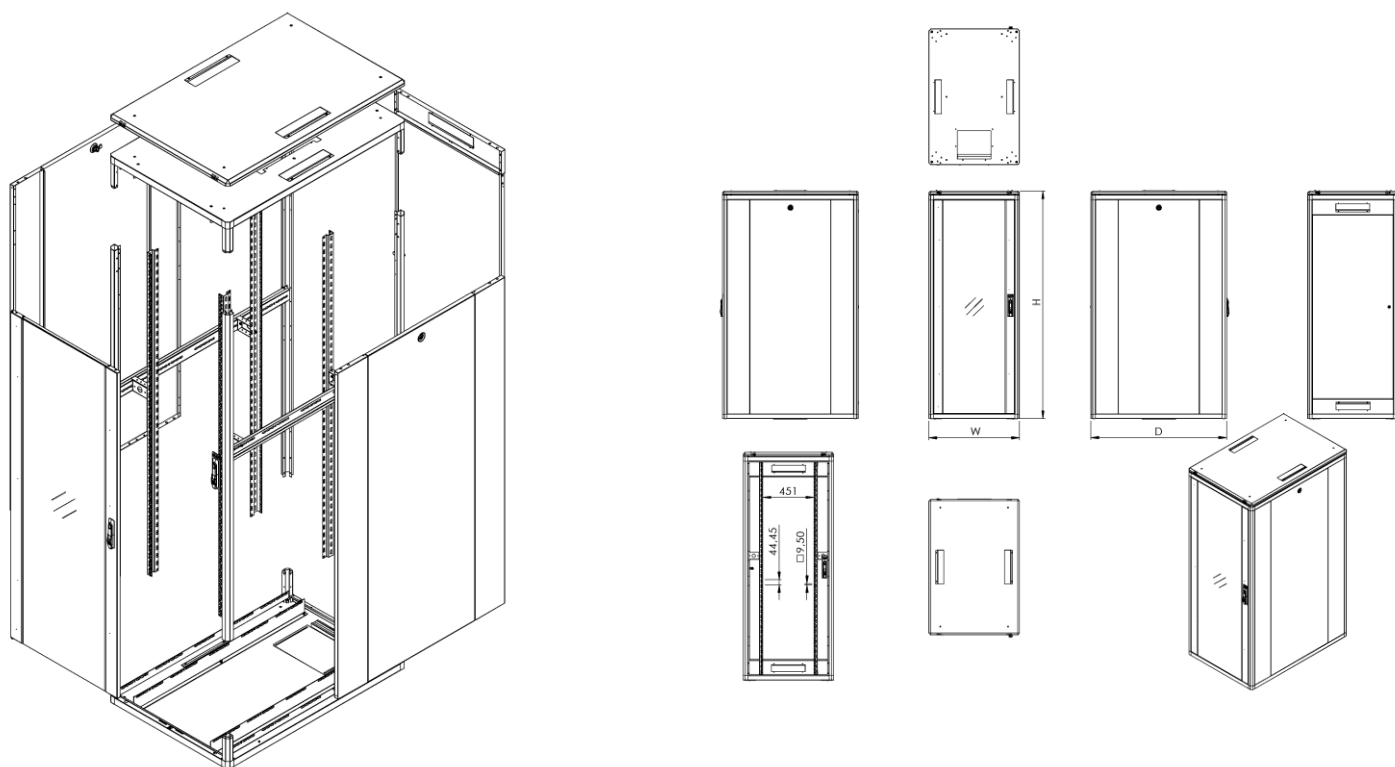
### 19" Atlas BASIC Freestanding cabinets W=800 D=1000

Product code	Description	Height in U	Width (mm)	Depth (mm)	Height (mm)	Weight (Net kg)	Weight (Gross kg)
ATN 36U-80/100-X	36U 19" Atlas BASIC free standing cabinet W=800 D=1000	36U	800	1000	1745,3	114,0	130,03
ATN 42U-80/100-X	42U 19" Atlas BASIC free standing cabinet W=800 D=1000	42U	800	1000	2012	133,0	151,7
ATN 47U-80/100-X	47U 19" Atlas BASIC free standing cabinet W=800 D=1000	47U	800	1000	2234,25	142,0	161,7

X - "B" for the black color

## Technical drawings

Freestanding cabinets W=800 D=1200



## Product code informations

### 19" Atlas BASIC Freestanding cabinets W=800 D=1200

Product code	Description	Height in U	Width (mm)	Depth (mm)	Height (mm)	Weight (Net kg)	Weight (Gross kg)
ATN 36U-80/120-X	36U 19" Atlas BASIC free standing cabinet W=800 D=1200	36U	800	1200	1745,3	101,0	117,2
ATN 42U-80/120-X	42U 19" Atlas BASIC free standing cabinet W=800 D=1200	42U	800	1200	2012	111,0	126,3
ATN 42U-80/120-PDD-X	42U 19" Atlas BASIC free standing cabinet W=800 D=1200	42U	800	1200	2012	111,0	126,3
ATN 42U-80/120-PDRD-X	42U 19" Atlas BASIC free standing cabinet W=800 D=1200	42U	800	1200	2012	111,0	126,3
ATN 47U-80/120-X	47U 19" Atlas BASIC free standing cabinet W=800 D=1200	47U	800	1200	2234,25	119,0	136,3

X - "B" for the black color